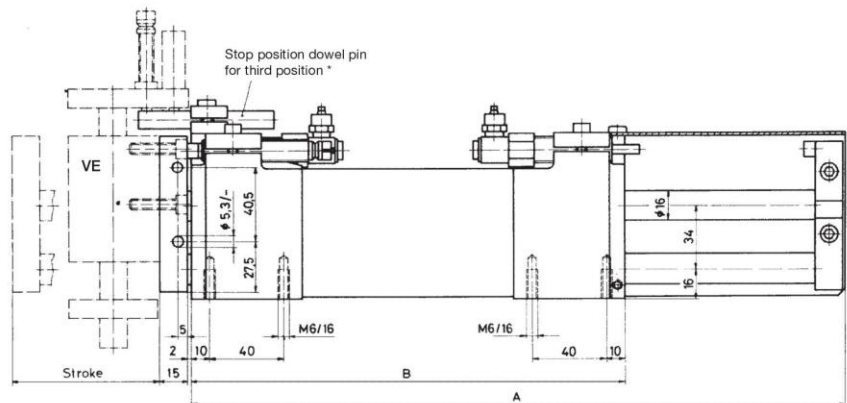
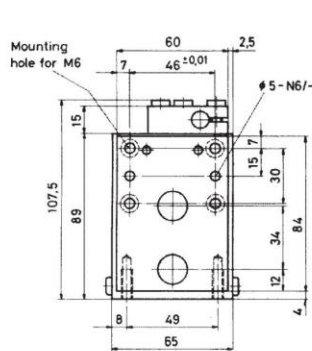
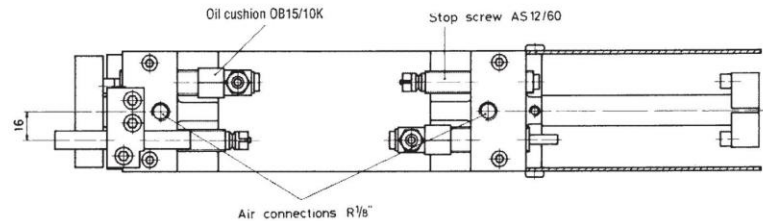
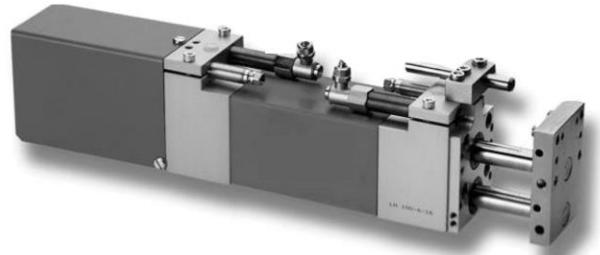


Linear units LH

- Progressive working oil cushions, includes oil reservoir KOB 50 (see sheet 5.001)
- Patented stop screws with sensing device
- High repeat accuracy
- Many combination possibilities
- Third position stop dowel pin for use with vertical unit VE *



Type	Stroke (mm)	A (mm)	B (mm)	Piston force at 72.5 psi (5 bar)	Max. Load	Air consumption for each double stroke at 72.5 psi (5 bar)	Weight
LH 100	0-100	352	234	51 lb (226 N)	61.7 lb (28.0 kg)	.026 scf (0,73 NL)	11.0 lb (5,0 kg)
LH 150	0-150	452	284	51 lb (226 N)	35.3 lb (16.0 kg)	.038 scf (1,09 NL)	12.8 lb (5,8 kg)
LH 200	0-200	552	334	51 lb (226 N)	19.8 lb (9.0 kg)	.051 scf (1,45 NL)	14.6 lb (6,6 kg)
LH 300	0-300	752	434	51 lb (226 N)	9.9 lb (4,5 kg)	.077 scf (2,18 NL)	18.1 lb (8,2 kg)
LH 400	0-400	952	534	51 lb (226 N)	6.6 lb (3,0 kg)	.102 scf (2,90 NL)	21.6 lb (9,8 kg)

Technical data:

- Stroke adjusted with stop screws.
- The stop screws can be fitted with patented sensing elements. (see section "Stop Screws with plug-in sensing elements").
- End position damped with adjustable oil cushions or elastomer cushions.
- Designed for high operating rates / long life (expected life 20 million cycles)
- Seal and repair kits available
- Precision linear ball bearings.
- Operating medium
- Operating pressure
- Repeatability
- Air connection

Compressed air oiled / not oiled
43.5 – 116 psi (3 – 8 bar)
± 0.01mm (0.0004")
R 1/8"

Order No. LH - . . . - . . .

O=Without cushions
A=Elastomer cushions (KB08)
B=Oil cushions and KOB50 (OB15/10K)
Stroke / mm